



LOB3092-ADJ-RR6

Assembly Instructions

LOBO Ingenuity Table

Before you begin, please make sure all parts and proper quantities are included. (See Part Identifier Key) Any parts damaged during shipment must be reported within 24 hours of receipt. To report information regarding damages or if you have any questions, please call 800.242.2303.

Step 1:

- Place top face down on protected flat surface so threaded inserts are facing up.

Step 2:

- Place LOBO frame tabs down on top of the top and align with pre-drilled pilot holes.

Step 3:

- Starting at one corner, place the $\frac{5}{16}$ " bolt that is welded to leg through corner support brace of frame. Repeat for remaining legs.

Step 4:

- Using a # S2 square bit, secure the leg plate to the top with #10 x $\frac{3}{4}$ " square pan screws. Repeat for each leg plate.

Step 5:

- Place the $\frac{5}{16}$ " lock washer and $\frac{5}{16}$ " hex nut onto the leg bolt and tighten with $\frac{1}{2}$ " wrench. Repeat on remaining legs.
- Adjust the leg to desired height.

Step 6:

- Using a # S2 square bit, secure frame to top with #10 x $\frac{3}{4}$ " square pan screws. One screw per tab.

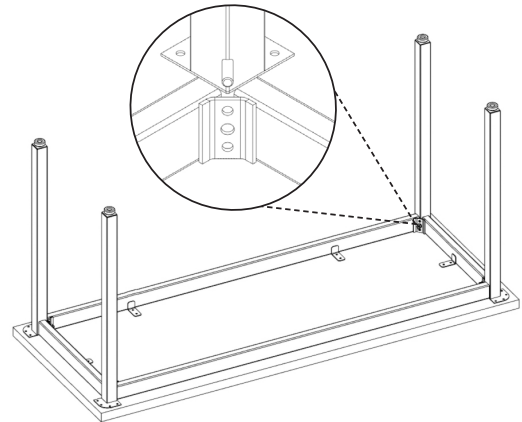
Step 7:

- With someone's help, turn table upright.

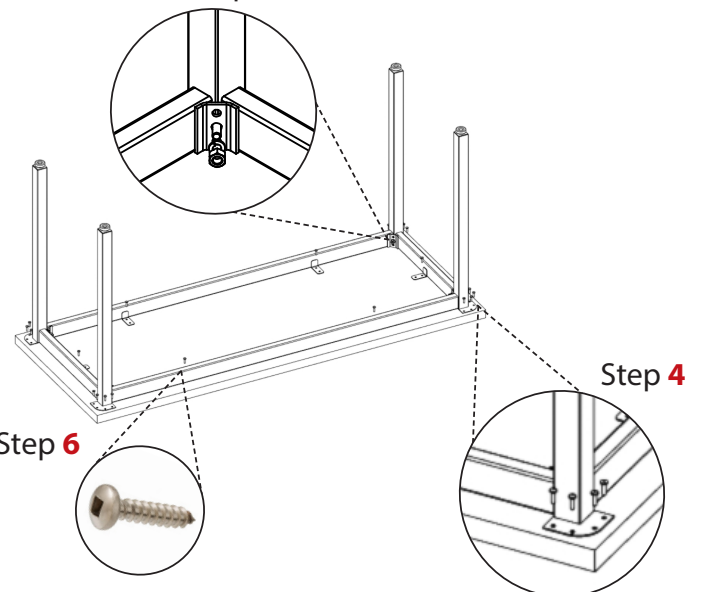
Step 8:

- Align pre-drilled holes in one of the long laminate rails with the threaded inserts in the side of the top.
- Using a $\frac{1}{4}$ -20 x 40mm joint connector bolt, insert the bolt through the pre-drilled hole in the rail into the threaded insert of the top. Use a 4mm Allen wrench or a 4mm hex bit and a screw gun to fasten bolt into place.
- After the first bolt is fastened, proceed attaching the remaining bolts in the long rail.
- Repeat **Step 8** for the remaining three rails.

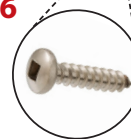
Step 3



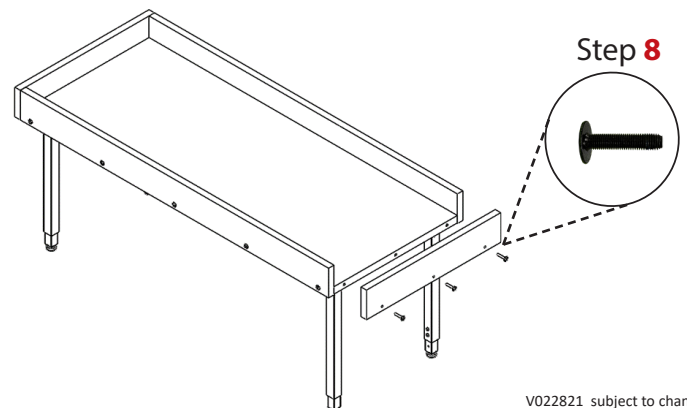
Step 5



Step 6






Step 8



V022821 subject to change.

Part Identifier Key

Part #	Description	Qty.	
0408231	#10 x 3/4" Square pan screws <i>(Used to attach leg plates and frame to top)</i>	26 <small>(Included in Hardware Pack located in leg box. May need less depending on size and work service)</small>	
Hardware Pack 040379	5/16" Lock washers 5/16" Hex nuts <i>(Used to attach legs to frame)</i>	4 4	
0406526	1/4"-20 x 40mm joint connector bolts <i>(Used to attach rails to top)</i>	16	



Adjustable Leg

Model #	Smooth Silver	Black	Description
	Sku #	Sku#	
LOB -ADJ	0409195-G4	0409195	LOBO 1.5" (40mm) Square Adj. Leg

LOB -ADJ

Tools Required

- Screw gun
- 1/2" wrench
- # S2 square bit
- 4mm hex bit
- 4mm Allen wrench

LOBO Ingenuity Table w/Gussets (LOB3111-ADJ-G-RR6)

Step 1:

- Make sure that legs are fully installed and adjusted to the correct height.

Step 2:

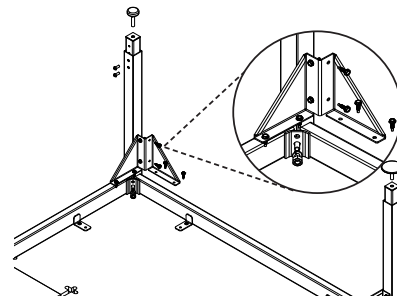
- Place gusset in corner where leg and frame meet. Use a rubber mallet to tap the #10 self-drilling screws into place.

Step 3:

- Using a screw gun along with a 5/16" hex bit to finish fastening the gussets to the leg and frame with the #10 self-drilling screws.



Step 4:

- Repeat for remaining gussets.



Part Identifier Key

Gussets w/ Hardware Pack (04066920) Used only with square LOBO legs

Part #	Description	Qty.	
04009742	#10 Self-drilling screws	8 per gusset	
04066920	Gusset for square legs	1 per leg	

Tools Required

- Screw gun
- 5/16" hex bit
- Rubber mallet

Assembly Instructions

LOBO Ingenuity Tables

w/ Casters & Glides

Step 1:

- Remove Nylon glide from leg by rotating counterclockwise until glide is free.

Step 2:

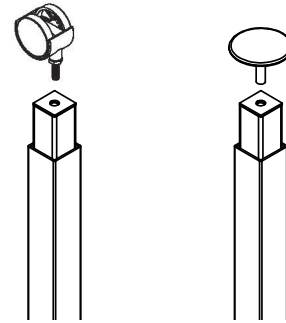
- Place stem of optional footing into the hole on the leg. Rotate clockwise until fully inserted into leg.
- Casters are **NOT** to be used as a leveling device.

Step 3:

- Tighten with a 14mm open-ended wrench. (only with the Dual wheel soft tread locking caster.)

Step 4:

- Repeat for each caster or glide.



Tools Required

- 14mm open-ended wrench

LOBO Ingenuity Tables

w/ Heavy Duty Casters

Step 1:

- Before placing caster in the bottom of the leg, lock the caster by pushing down on the brake lever.

Step 2:

- Twist the stem of the caster into the hole on the bottom of the leg. Applying thread locking adhesive can help prevent unexpected loosening of the caster.

Step 3:

- Use 3/4" wrench to tighten 3/4" nut on stem of caster.

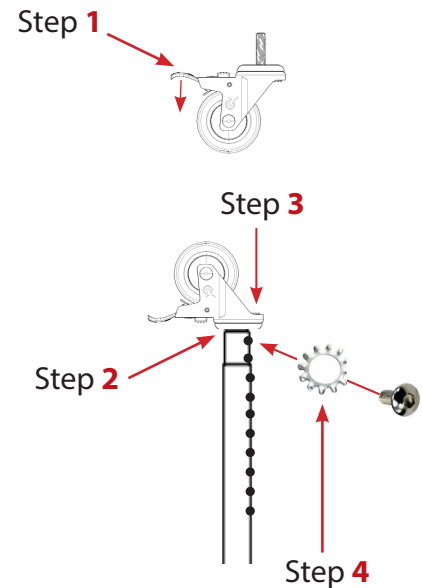
Step 4:

- Insert star washer and M6 screw in hole closest to the caster and tighten with 4mm hex wrench. **DO NOT OVER TIGHTEN.**






Step 5:

- Repeat for remaining casters.

Casters are **NOT** to be used as a leveling device.



Part Identifier Key

Part #	Description	Qty.	
040164	2.5" Grand Hank glide, 3/8-16 x 1"	1 per leg	
04067920	1.5" Soft Touch glide	1 per leg	
NSL-33056S	1.25" Steel glide	1 per leg	
04067540	Dual wheel soft tread locking casters	1 per leg	
0400993	3" heavy duty locking casters	1 per leg	

Tools Required

- 3/4" wrench
- 4mm hex wrench
- Thread locking adhesive (optional)