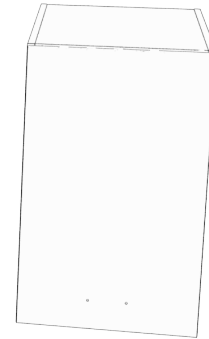
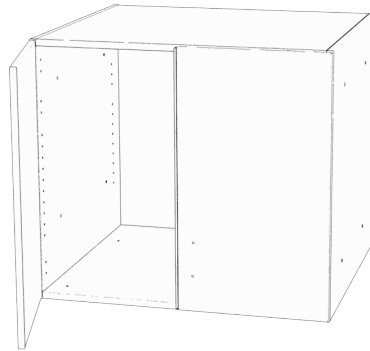
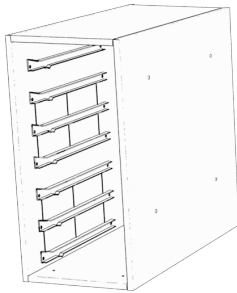




Before you begin, please make sure all parts and proper quantities are included. (See Part Identifier Key) Any parts damaged during shipment must be reported within 24 hours of receipt. To report information regarding damages or if you have any questions, please call 800.242.2303.

Step 1:

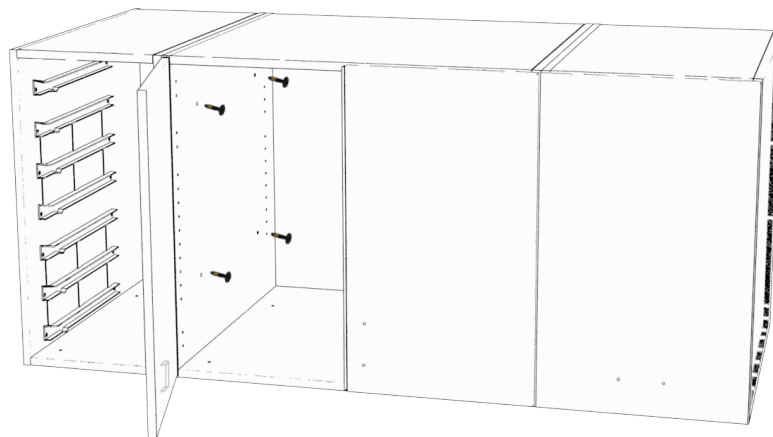
- Remove the two waste bins from the cabinet.
- Place the cabinet that has the totes in it upside down on a protected flat surface with it's sub-bottom facing up. **(Upon installer's discretion, remove doors (excluding trash door), shelving & totes before turning any of the cabinets over to lessen the weight of the cabinets.)**
- Repeat above step for the other two base cabinets but when you're placing it down on the protected surface, align the pre-drilled holes on the sides of all three cabinets with each other.
- **NOTE:** Please use the below image for the correct placement of each cabinet.



Images of these base cabinets are shown upside down in **Steps 1-4.**

Step 2:

- With cabinets aligned together, place the 1/4"-20 x 30mm joint connector bolt w/ loctite through pre-drilled hole on the inside of one of the cabinets making sure bolt is pushed as far as it can go.
- While holding the joint connector bolt flush to the cabinet, take a 1/4"-20x17mm joint connector nut and attach it to the end of the bolt (located in other base cabinet) turning it clockwise until it's completely on. Use a 4mm Allen wrench or 4mm hex bit and a screw gun to tighten as needed.
- Repeat **Step 2** with the remaining bolts and connector nuts so all three cabinets are attached together.
- **NOTE:** If you did not remove the totes or waste bins in **Step 1**, you will need to remove them in order to gain access to the pre-drilled holes located inside of all three cabinets.

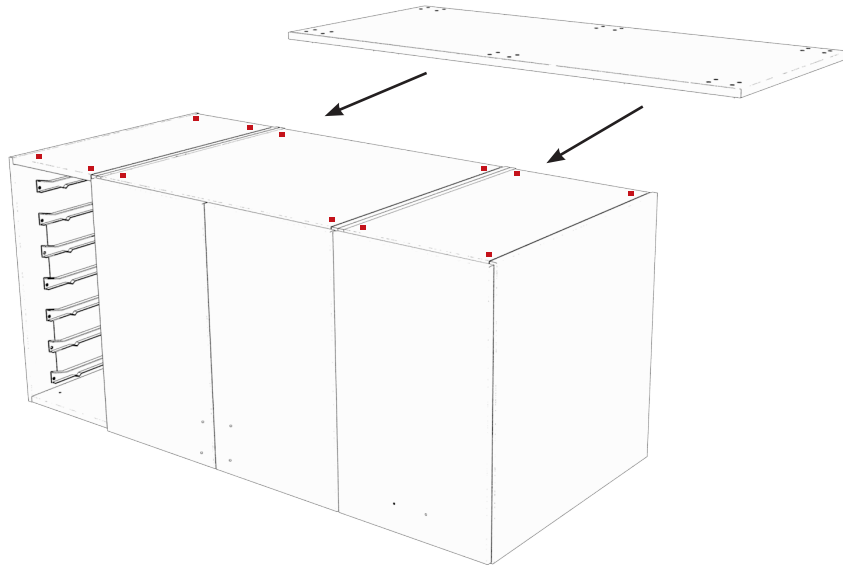


Tools Required

- 4mm Allen wrench OR
- 4mm Hex bit
- Drill extension
- Phillips drill bit
- Screw gun
- #2 square bit

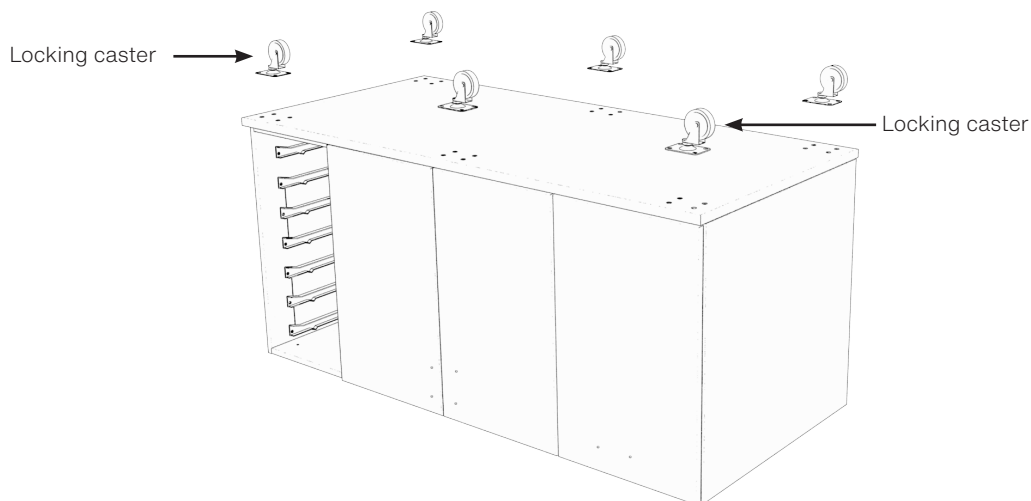
Step 3:

- With all three cabinets attached together, take caster base and center it on the cabinets with threaded inserts facing up.
- Using #2 square bit, attach caster base to the cabinets using #10 1½" square-drive flat head screws. (See image below; pre-drilled pilot holes are marked in red as an example for assembly instructions ONLY.)



Step 4:

- Align caster with the threaded inserts.
- Use the ¼"-20x25mm joint connector bolts to attach casters to the cabinet.
- Repeat for the remaining casters. (See image below to see the location for the two locking casters.)



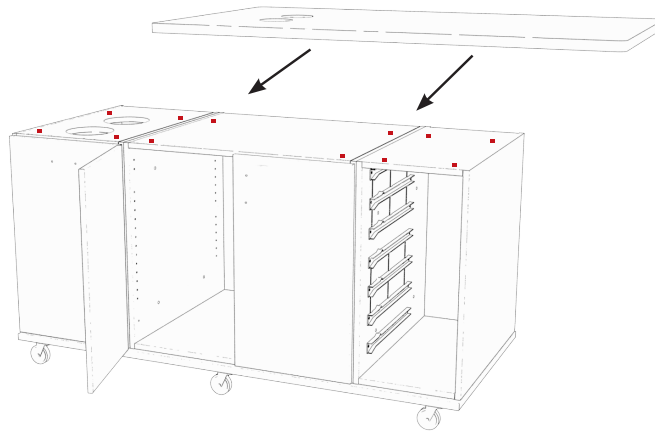
Step 5:

- With someone's help, position the cabinet right side up. Make sure to have all the locking casters' levers pushed down to secure cabinet in place.

Step 6:

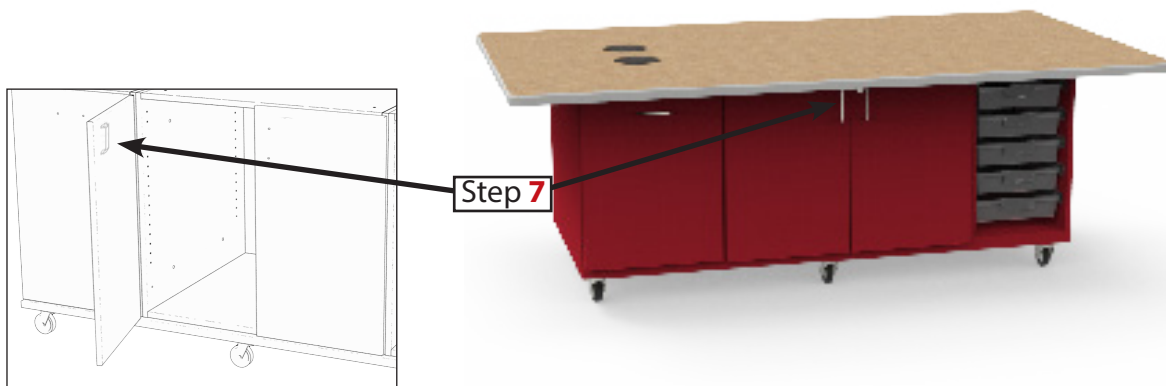
IMPORTANT: For 2 piece Butcher Block Top, see **Page 5**.

- Place top on cabinets. Align pre-drilled holes on the cabinets with threaded inserts in the top.
- Using a 1/4-20x35mm joint connector bolt, (going through one of the cabinets) insert the bolt through the pre-drilled hole up into the threaded insert of the top. Use a 4mm Allen wrench or 4mm hex bit and a screw gun to fasten the bolt into place.
- After the first bolt is fastened, proceed attaching the remaining bolts in that cabinet. (4 bolts per cabinet)
- Repeat **Step 6** for the other two cabinets.
- If shelving, doors, totes and trash bins were removed, place them back into place.










Step 7:

- Wire pulls are factory installed on the inside of doors to prevent damage in transit. (Use the clear tab to open the double doors.)
- Unscrew each wire pull handle using a Phillips drill bit and a screw gun.
- Reattach with wire pull on the outside of the cabinet.
- Repeat for each of the wire pulls for both cabinets.
- Remove clear tab on door.



Part Identifier Key

Part #	Description	Qty.	
0400236	1/4"-20x30mm joint connector bolt w/ loctite (Used to attach 2 base cabinets together)	8	
0404229	1/4"-20x17mm joint connector nut (Used to attach 2 base cabinets together)	8	
040681	#10 1 1/2" square-drive flat head screw for wood (Used to attach caster base to the 3 base cabinets)	12	
0400484	3" heavy duty plate casters w/o brake	4	
0400485	3" heavy duty plate casters w/ brake	2	
04066947	1/4"-20x25mm joint connector bolt (black) (Used to apply casters)	24	
0406686-WO	1/4"-20x35mm joint connector bolt (black) (Used to attach base cabinet to top)	12	

Assembly Instructions

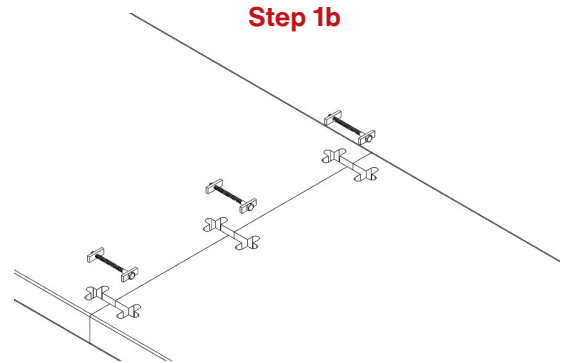
Nucleus Workstation

w/ 2-Piece Butcher Block Top

Complete Steps 1-5 on Pages 1-3 before assembling the 2-Piece Butcher Block Top.

Step 1b:

- If assembling a Hardwood top that has a depth greater than 36", top will be in 2 pieces (.5" undersized on length). Place both top halves face down on a protected flat surface. Align together the dog bone holes on both tops.

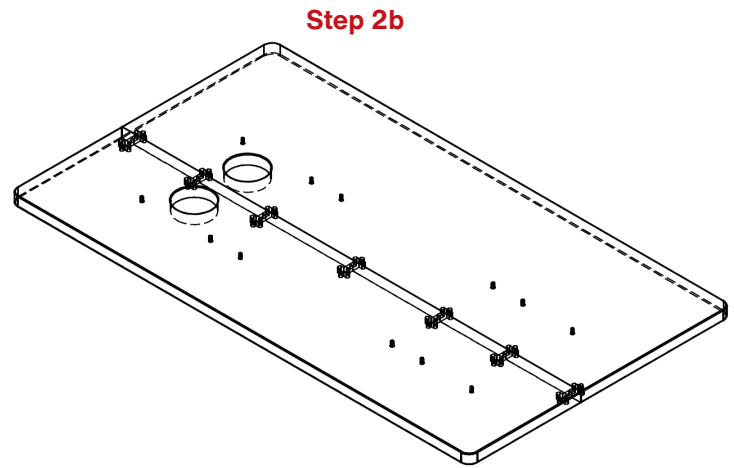


Step 2b:

- Adjust Tite joint fastener to the size of the field joint opening and then place the fastener into each opening. Using a 7/16" wrench, tighten each fastener so that both tops are securely clamped together.

Step 3b:

- Go back to **Step 6** to finish assembling the Nucleus Workstation.



Tools Required

- 7/16" Wrench

Part Identifier Key

Part #	Description	Qty.	
0406902	Tite joint fasteners	# depends on top size	