



# Assembly Instructions

## LOBO Tables

1 or 2 Piece Butcherblock Tops

Before you begin, please make sure all parts and proper quantities are included. (See Part Identifier Key) Any parts damaged during shipment must be reported within 24 hours of receipt. To report information regarding damages or if you have any questions, please call 800.242.2303.

### Step 1a:

- If assembling a Hardwood top that has a depth of 36" or less, it will be in one piece. Place the top face down on a protected flat surface. Proceed to **Step 3**.

### Step 1b:

- If assembling a Hardwood top that has a depth greater than 36", top will be in 2 pieces (.5" undersized on length). Place both top halves face down on a protected flat surface. Align together the dog bone holes on both tops.

### Step 2:

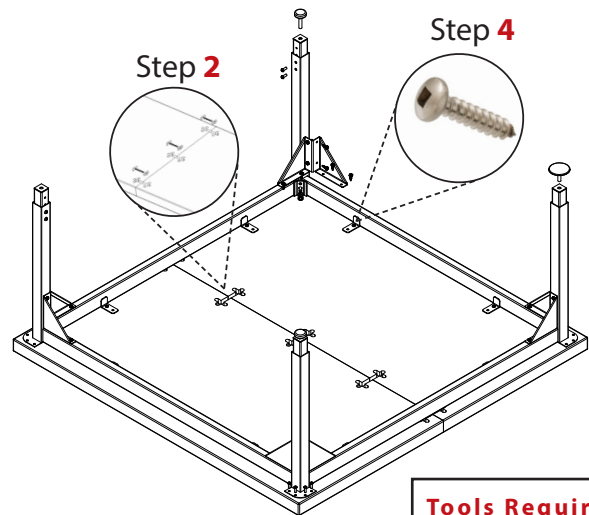
- Adjust Tite joint fastener to the size of the field joint opening and then place the fastener into each opening. Using a  $\frac{7}{16}$ " wrench, tighten each fastener so that both tops are securely clamped together.

### Step 3:

- Place LOBO frame tabs down on top of the LOBO top and align tabs with pre-drilled pilot holes.

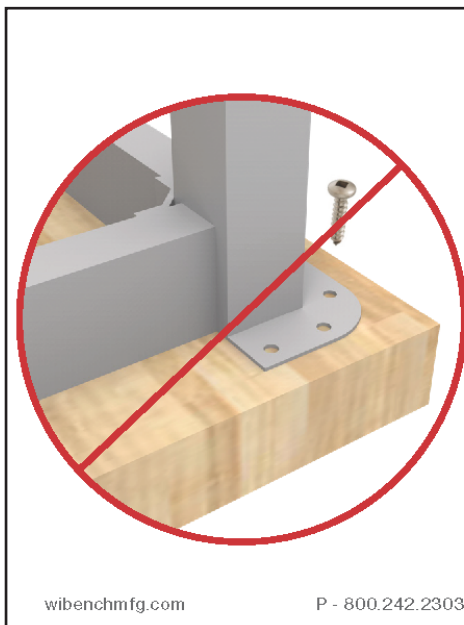
### Step 4:

- Using a # S2 square bit, secure frame to table top with #10 x  $\frac{3}{4}$ " Square pan screws. One screw per tab.



#### Tools Required

- $\frac{1}{2}$ " Wrench
- $\frac{7}{16}$ " Wrench
- Screw gun
- # S2 Square bit



wibenchmfg.com

P - 800.242.2303

# CAUTION

## DO NOT

use screws to fasten  
leg plates to any  
LOBO Hardwood tops!

Gussets will need to be  
installed to insure stability.

# Assembly Instructions

## LOBO Tables

1 or 2 Piece Butcherblock Tops

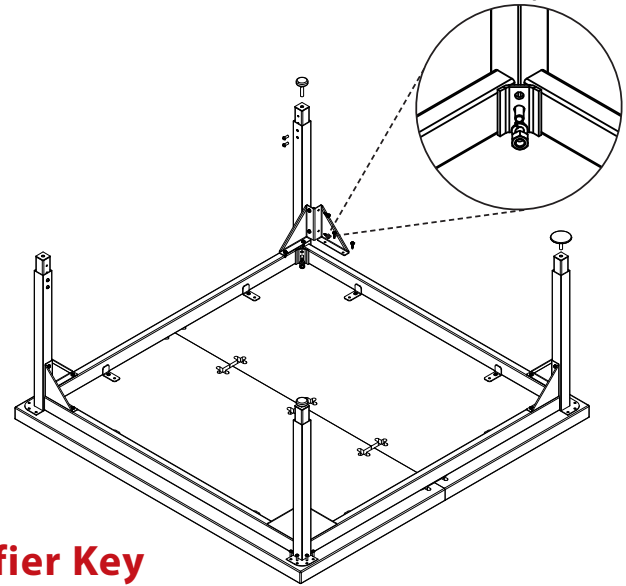
### Step 5

#### Step 5:




- Starting at one corner, place the 5/16" bolt that is welded to leg through corner support brace of frame.
- Place the 5/16" lock washer and 5/16" hex nut onto the leg bolt and tighten with 1/2" wrench.
- Repeat for remaining legs.

#### Step 6:


- Adjust legs to desired height.




### Part Identifier Key

Part #	Description	Qty.	
0406902	Tite joint fasteners	# depends on top size	
0408231	#10 x 3/4" Square pan screws <i>(Used to attach frame to top. Do not use on leg plates.)</i>	26 <small>(Screws will be included in Hardware Pack located in leg box as standard but you will not use all of them. Please discard any remaining screws.)</small>	
Hardware Pack 040379	5/16" Lock washers 5/16" Hex nuts <i>(Used to attach legs to frame)</i>	4 4	

#### 3" Heavy Duty Caster Hardware Pack (04066968) Used only with 2" adj. legs (-ALR & -ABP)

04067460	1/4" Star washers	4 per set	
04067064	M6 1x18 screws <i>(Used in leg insert to prevent bending of the leg insert)</i>	4 per set <small>(Included in Hardware Pack located in leg box as standard. Discard if casters are not installed.)</small>	

#### 3" Heavy Duty Caster Hardware Pack (0402020) Used only with 1.5" adj. legs (-ADJ)

04067460	1/4" Star washers	4 per set	
0401259	M6 1x14 screws <i>(Used in leg insert to prevent bending of the leg insert)</i>	4 per set <small>(Included in Hardware Pack located in leg box as standard. Discard if casters are not installed.)</small>	



### LOBO Legs

#### Adjustable & Fixed Legs

Model #	Smooth Silver Sku #	Black Sku#	Description	Weight	Leg Height"
LOB -ADJ	0409195-G4	0409195	LOBO 1.5" (40mm) Square Adj. Leg	18	22.25 - 36.25
LOB -ALR	0409193-G4	0409193	LOBO 2" (50mm) Round Adj. Leg	20	22.25 - 36.25
LOB -ABP	N/A	0409196	LOBO 2" (50mm) Big Paw Sq. Adj. Leg	20	22.25 - 36.25
LOB -FX	0409194-G4	0409194	LOBO 1.5" (40mm) Square Fixed Leg	16	28.75

# Assembly Instructions

## LOBO Tables

1 or 2 Piece Butcherblock Tops w/Gussets

**Step 7:**

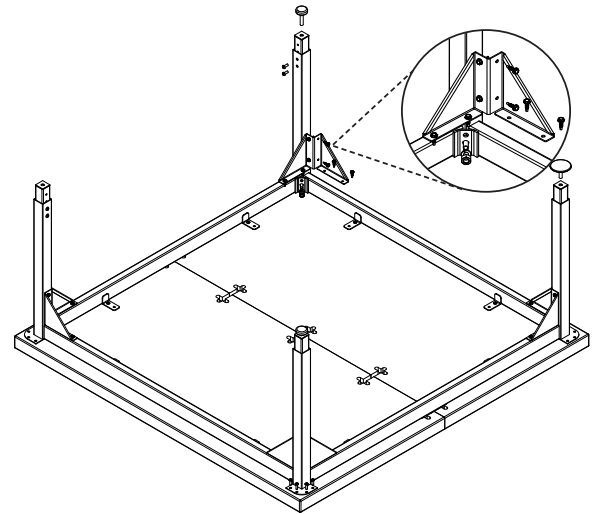
- Make sure that legs are fully installed and adjusted to the correct height.
- Place gusset in corner where leg and frame meet. Use a rubber mallet to tap the #10 self-drilling screws into place.

**Step 8:**

- Using a screw gun along with a 5/16" hex bit to finish fastening the gussets to the leg and frame with the #10 self-drilling screws.
- Repeat for remaining gussets.

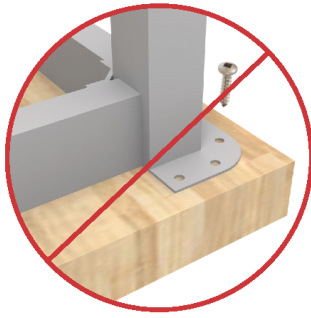
**Step 9:**

- Turn table upright with someone's help.



**Tools Required**

- Screw Gun
- 5/16" Hex Bit
- Rubber Mallet



**CAUTION**



**DO NOT** use screws to fasten leg plates to any LOBO Hardwood tops!

Gussets will need to be installed to insure stability.


wibenchmfg.com P - 800.242.2303

### Part Identifier Key

**Gussets w/ Hardware Pack (04066920) Used only with square LOBO legs**

Part #	Description	Qty.	
04009742	#10 Self-drilling screws	8 per gusset	
04066920	Gusset for square legs	1 per leg	

**Gussets w/ Hardware Pack (04066918) Used only with round LOBO legs**

Part #	Description	Qty.	
04009742	#10 Self-drilling screws	8 per gusset	
04066918	Gusset for square legs	1 per leg	