

# Assembly Instructions

Before you begin, please make sure all parts and proper quantities are included. (See Part Identifier Key) Any parts damaged during shipment must be reported within 24 hours of receipt. To report information regarding damages or if you have any questions, please call 800.242.2303.

**Assembling this unit on Step 3 may take up to three people to help hold both left/right legs and another to assemble the modesty panels.**

## Step 1:

- Attach (2) 4" L-brackets to the inner side of the left leg aligning them with the pre-drilled holes using #10x $\frac{3}{4}$ " square pan screws. Tighten with a #2 square drive screw driver or a #2 square bit with a screw gun. Repeat this step for the right leg.

## Step 2:

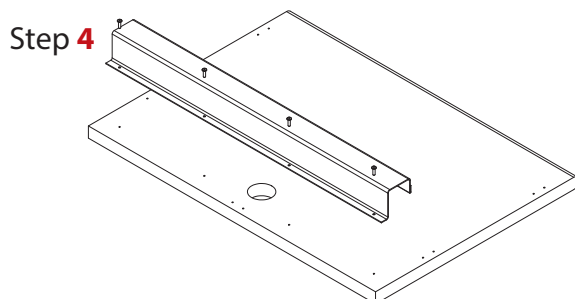
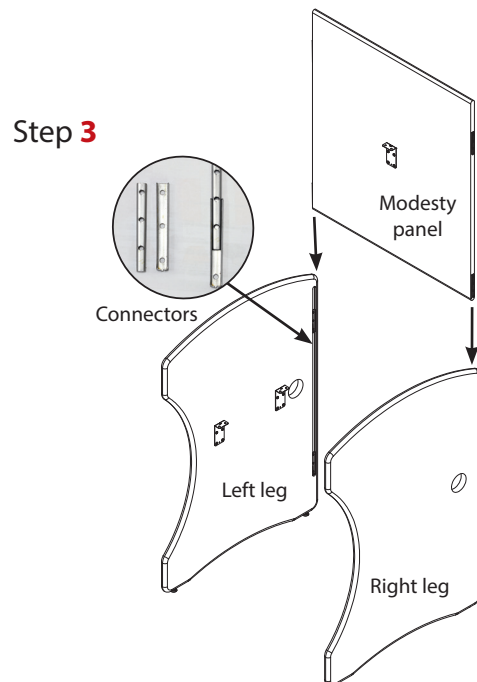
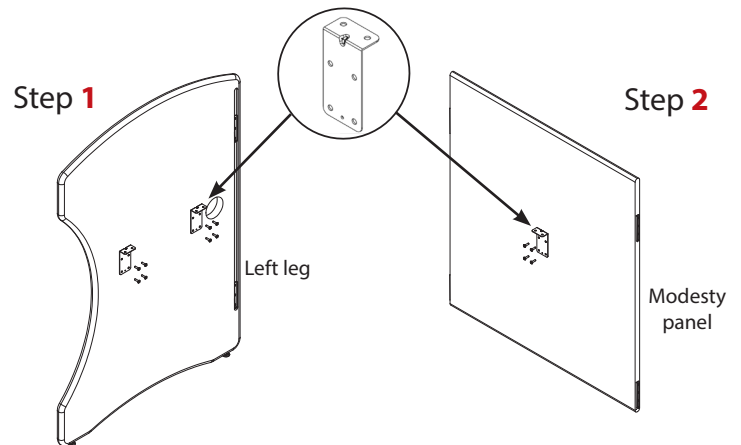
- Attach (1) 4" L-bracket to the inner side of the modesty panel aligning it with the pre-drilled holes using #10x $\frac{3}{4}$ " square pan screws. Tighten with a #2 square drive screw driver or a #2 square bit with a screw gun.

## Step 3:

- Align connectors on the left and right ends of the modesty panel with the connectors on the left and right legs. Press down until it's fully engaged. **(This is the step where it would be helpful to have three people; one person per leg holding them in place and one person pressing down the modesty panel into the connectors located on the left and right legs.)**
- **NOTE:** If you are assembling an Adder Kit along with this Starter Kit, you will need to replace the right leg with the center leg. The right leg will be the very last one to be attached.

## Step 4:

- Place top face down on a protected surface so pre-drilled holes are facing up. Attach cord channel to top aligning it with the pre-drilled holes using #10x $\frac{3}{4}$ " square pan screws. Tighten with a #2 square drive screw driver or a #2 square bit with a screw gun.



# Assembly Instructions

Before you begin, please make sure all parts and proper quantities are included. (See Part Identifier Key) Any parts damaged during shipment must be reported within 24 hours of receipt. To report information regarding damages or if you have any questions, please call 800.242.2303.

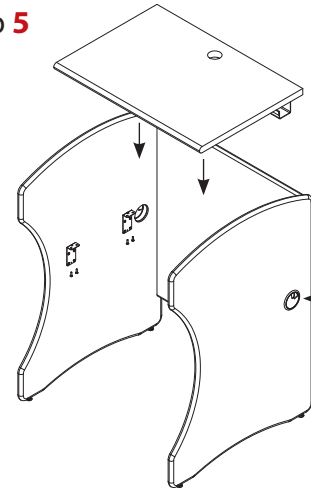
**Step 5:**

- Place top on the 4" L-brackets (leg, right and modesty panel), align bottom of the top that have the pre-drilled holes to the brackets that are located on the leg and right /left legs and modesty panel. Attach the brackets to the top with (2) #10x3/4" square pan screws per bracket. Tighten with a #2 square drive screw driver or a #2 square bit with a screw gun.

**Step 6:**

- Place cable grommets into hole located on right & left (center if assembling the adder kit) legs and the laminate top.

**Step 5**



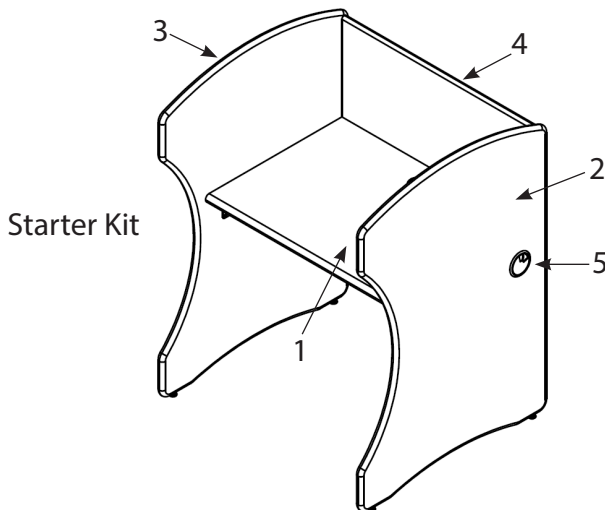
**Step 6**



**Tools Required**

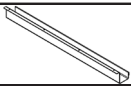
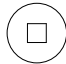
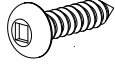


- #2 Square drive screw driver or
- Screw gun
- #2 square bit

## Part Identifier Key



**Item # Description**

Item #	Description
1	Laminate top
2	Starter right leg
3	Left leg
4	Modesty panel
5	Cable grommet hole
6	Adder center leg
7	Connector

Part #	Description	Qty.	
04009316	Cord channel w/ hem, 872-34" UNE-frame	1	
0406711	#10x3/4" black square pan screw <i>(Used on cord channel and L-brackets)</i>	34	 
0400900	4" L-Bracket	5	
0406659	2 3/8" cable grommet <i>(Used on modesty panel)</i>	1	
0406658	3 1/8" cable grommet <i>(Used on right, left or center legs)</i>	1 - 2	

# Assembly Instructions

Before you begin, please make sure all parts and proper quantities are included. (See Part Identifier Key) Any parts damaged during shipment must be reported within 24 hours of receipt. To report information regarding damages or if you have any questions, please call 800.242.2303.

**Step 1:**

- Remove starter right leg from the Study Carrel by unscrewing the L-bracket from the leg. (leave the bracket attached to the top) You will need to tip the starter unit enough so you can slide the right leg out of the connector by pulling down on the right leg. Someone will need to support the starter unit until you attach the adder center leg.

**Step 2:**

- Locate the adder center leg from the adder kit. Align the connector on the adder center leg with the connector on the modesty panel and press down until it's fully engaged.

**Step 3:**

- Re-fasten the L-bracket to the inner side of the adder center leg using #10x3/4" square pan screws. Tighten with a #2 square drive screw driver or a #2 square bit with a screw gun.

**Step 4:**

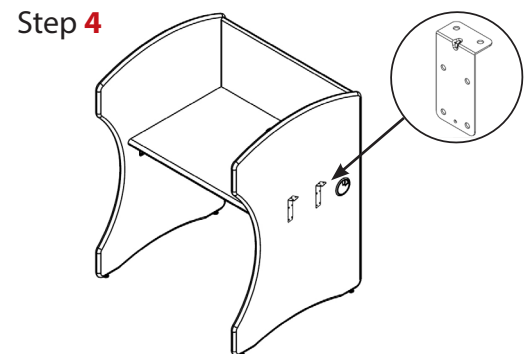
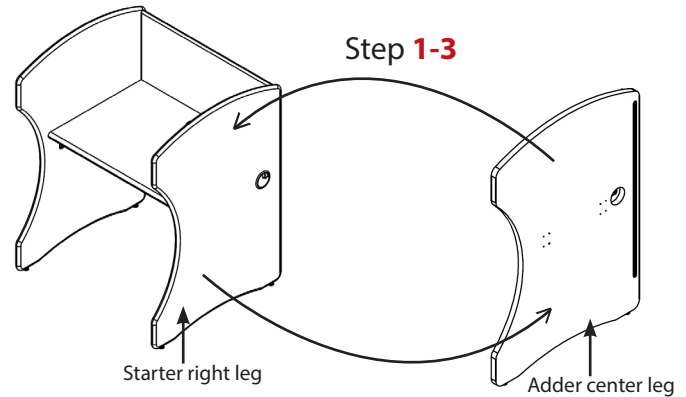
- Attach (2) 4" L-brackets to the outer side of the adder center leg aligning them with the pre-drilled holes using #10x3/4" square pan screws. Tighten with a #2 square drive screw driver or a #2 square bit with a screw gun. Repeat this step for the starter right leg that you just removed but the pre-drilled holes will be located on the inner side of the leg.

**Step 5:**

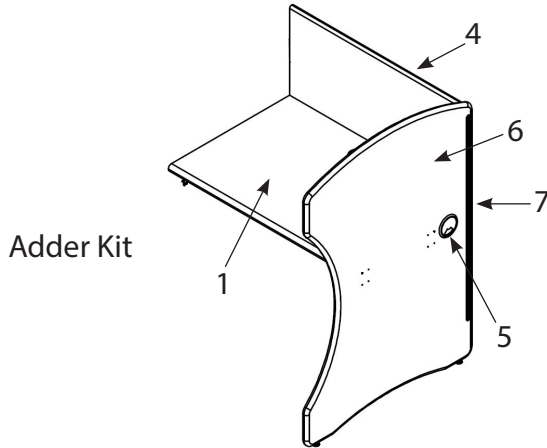
- See page 1 of the **Assembly Instructions for the Starter Kit**. You will continue with **Step 2** and go through **Step 6**.

**Step 6:**

- Repeat above steps for any additional Adder Kits. Make sure starter right leg will be at the end of the assembly process.



## Part Identifier Key



Item #	Description
1	Laminate top
2	Starter right leg
3	Left leg
4	Modesty panel
5	Cable grommet hole
6	Adder center leg
7	Connector

Part #	Description	Qty.	
04009316	Cord channel w/ hem, 872-34" UNE-frame	1	
0406711	#10x3/4" black square pan screw <i>(Used on cord channel and L-brackets)</i>	34	
0400900	4" L-Bracket	5	
0406659 0406658	2 3/8" cable grommet <i>(Used on modesty panel)</i> 3 1/8" cable grommet <i>(Used on right, left or center legs)</i>	1 1 - 2	

### Tools Required

- #2 Square drive screw driver or
- Screw gun
- #2 square bit