



# Assembly Instructions

## ELO<sup>®</sup> Ingenuity Table

Before you begin, please make sure all parts and proper quantities are included. (See Part Identifier Key) Any parts damaged during shipment must be reported within 24 hours of receipt. To report information regarding damages or if you have any questions, please call 800.242.2303.

### Step 1:

- Place top face down on protected flat surface so threaded inserts are facing up.

### Step 2:

- Align leg with threaded inserts.
- Using a 4mm Allen wrench or 4mm hex bit and a screw gun, fasten leg to top with the 1/4"-20 x 15mm joint connector bolts.
- Repeat this for the rest of the legs.

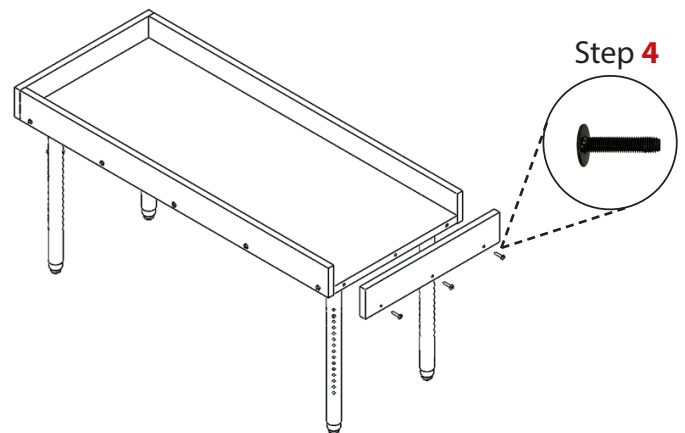
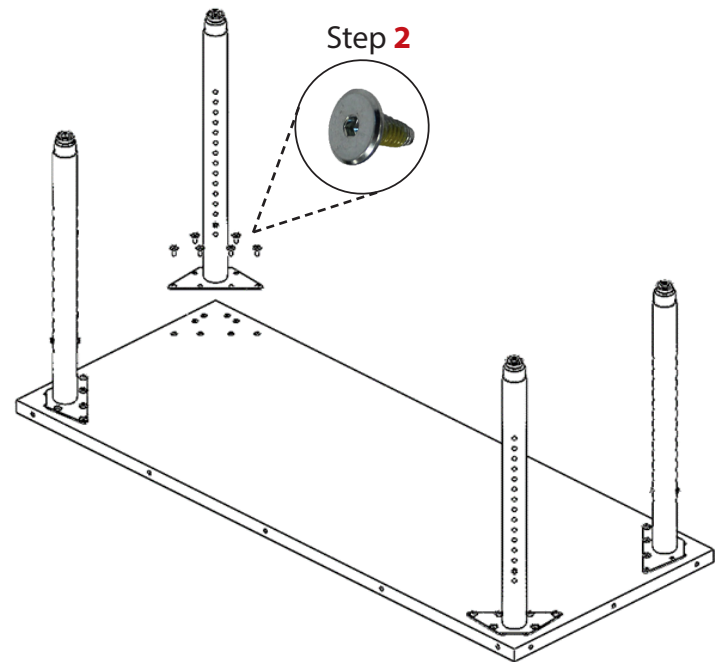
### Step 3:

- Adjust legs to desired height and then with someone's help, turn table upright.

### Step 4:

- Align pre-drilled holes in one of the long laminate rails with the threaded inserts in the side of the top.
- Using a 1/4"-20x40mm joint connector bolt, insert the bolt through the pre-drilled hole in the rail into the threaded insert of the top. Use a 4mm Allen wrench or a 4mm hex bit and a screw gun to fasten bolt into place.
- After the first bolt is fastened, proceed attaching the remaining bolts in the long rail.
- Repeat **Step 4** for the remaining three rails.



### Steps 1-2



### Tools Required

- Screw gun
- 4mm hex bit
- 4mm Allen wrench

## Part Identifier Key

Part #	Description	Qty.	
04009023	1/4"-20 x 15mm joint connector bolts	6 per leg	
0406526	1/4"-20 x 40mm joint connector bolts <i>(Used to attach rails to top)</i>	16	

V030121 subject to change.

**Step 1:**

- Remove Nylon glide from leg by rotating counterclockwise until glide is free.

**Step 2:**

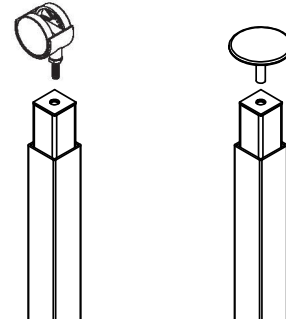
- Place stem of optional footing into the hole on the leg. Rotate clockwise until fully inserted into leg.
- Castors are **NOT** to be used as a leveling device.

**Step 3:**

- Tighten with a 14mm open-ended wrench. (only with the Dual wheel soft tread locking caster.)

**Step 4:**





- Repeat for each caster or glide.



**Tools Required**

- 14mm open-ended wrench

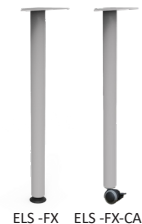
### Part Identifier Key

Part #	Description	Qty.	
040164	2.5" Grand Hank glide, 3/8"-16 x 1"	1 per leg	
04067920	1.5" Soft Touch glide	1 per leg	
NSL-330565	1.25" Steel glide	1 per leg	
04067540	Dual wheel soft tread locking casters (N/A on epoxy resin tops)	1 per leg	



**Adjustable Legs**

Model #	Smooth Silver	Black	Description
	SKU	SKU	
ELS -ADJ	04067832-G4	04067832	ELO® 2" Straight Round Adj. Leg
ELP -ADJ	04066829-G4	N/A	ELO® 2" Straight Round Pin Adj. Leg



**Fixed Legs**

Model #	Smooth Silver	Black	Description
	SKU	SKU	
ELS -FX	04067792-G4	N/A	ELO® 2" Round Fixed Leg w/Grand Hank Glide
ELS -FX-CA	04067839-G4	N/A	ELO® 2" Round Fixed Leg w/Dual Wheel Soft Tread Locking Caster



**Jr. & Mini Jr. Adjustable Legs**

Model #	Smooth Silver	Black	Description
	SKU	SKU	
ELS -EJA	04066652-G4	04066652	ELO® 2" Straight Round Jr. Adj. Leg
ELP -EJA	04066785-G4	N/A	ELO® 2" Straight Round Pin Jr. Adj. Leg
ELS -MJA	04067425-G4	N/A	ELO® 2" Round Jr. Adj. Mini Leg w/Grand Hank Glide