

# Hardwood Locker Bench specifications

## Butcher Block Seats:

Hardwood: 1.25" thick face-glued hardwood strips with 0.125" radius comfort edges and rounded corners with two coats catalyzed clear lacquer top and sides with one clear coat bottom.



## Phenolic Seats:

1" thick matte black phenolic resin with 0.125" radius comfort edges and rounded corners with high resistance to chemicals, humidity and abrasions.



## Pedestal Specifications:

**Diameter:** 2.375"

**Finishes:** 14-gauge T304 stainless steel, 16-gauge Q235B steel painted with almond gloss finish

**Pedestal Height:** 16.25"H

**Parts Bag:** Hex head lag screw, zinc .25" x 1" long, qty 12

**Span Recommendation:** 4 foot maximum span between pedestals

**Packaging:** 2 legs with hardware per box; sold individually

**Bench Seat Options:** Butcher Block, Phenolic



Painted almond gloss finish



Stainless steel finish

## ADA Bench Frame Specifications:

**Legs:** 2" - 14 gauge tubing with .25" steel plates

**Backrest Frame:** 1.25" - 14 gauge tubing with 10 gauge steel plates

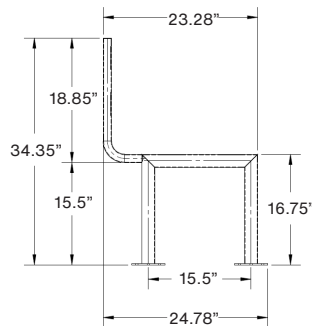
**Finishes:** Almond or T201 stainless steel

**Height:** Pedestal is 34.35" and 18"H seating height which includes a 1.25" faced-glued hardwood strips

**Span Requirement:** In order to be ADA compliant, the space between the bench back and seat CAN NOT exceed 2".

**Packaging:** 2 legs with hardware per box; sold individually

**Bench Seat Option:** Butcher Block



**Shipping Class:** 70, Density Based Class

**NMFC#:** 79860 (Locker Benches), 83630 (Pedestals, Brackets)

**Assembly:** Unassembled

## U- Shaped Pedestal Specifications:

**Diameter:** 1.5" round

**Finishes:** 16-gauge painted black steel with 14-gauge support bracket

**Pedestal Height:** 17.862"H with 1<sup>3</sup>/<sub>8</sub>" nylon glide; overall 19"H assembled

**Span Recommendation:** 4 foot maximum span between pedestals; 96" bench ships with 3 pedestals

**Packaging:** Sold as 48", 60", 72", 96"L kit with 12", 15" and 18"W hardwood locker room bench

**Bench Seat Option:** Butcher Block



## Trapezoid Specifications:

**Diameter:** 2.375"

**Finishes:** 16-gauge T201 stainless steel or 16-gauge steel painted almond gloss

**Pedestal Height:** 16.25"H

**Parts Bag:** Hex head lag screw, zinc .25" x 1" long, qty 12

**Span Recommendation:** 4 foot maximum span between pedestals

**Packaging:** 2 legs with hardware per box; sold individually

**Bench Seat Options:** Butcher Block

(This pedestal is recommended for benches 12"D or 18"D; otherwise, the base of the pedestal is significantly wider than a 9.5"D bench seat.)



## Wall Mount Brackets:

**Materials:** 1.5"W x .125" steel bracket or 12-gauge #4 stainless steel with reversible design; 3" x 3" notch for wall cleat or wire run clearance

**Finishes:** Almond (-A) Powder Coated; Black (-B) Powder Coated; Stainless Steel (-SS)

**Span Recommendation:** 4 ft max span between brackets

**Packaging:** Sold as pair with 2 brackets per package; wall fasteners are not included

**Bench Seat Option:** Butcher Block

**NOTE:** Hardware to mount pedestals and brackets to the floor or wall are required but not included as the substrate is unknown.



## Important Information

- It is recommended to install two pairs of round pedestals for every four foot span on ADA benches. It is recommended to install two pedestals for every four foot span on locker benches. Hardware to attach pedestals to the bench is included. Benches greater than 72" require more than 2 pedestals. Benches 20" and wider need more than 1 pedestal per side.
- It is recommended to attach pedestals to the floor, hardware to attach pedestals to floor is not included.
- Hardwood locker benches are not recommended for areas with high moisture content. Failure to properly protect benches from moisture negates the product warranty.

V041321 Version subject to change

### Hardwood Locker Bench Seats & Accessories

| 9.5" Depth | 12" Depth | 18" Depth | 20" Depth | 24" Depth | Seat Length" |
|------------|-----------|-----------|-----------|-----------|--------------|
| LBS9H024   | LBS12024  | LBS18024  | LBS20024  | LBS24024  | 24           |
| LBS9H036   | LBS12036  | LBS18036  | LBS20036  | LBS24036  | 36           |
| LBS9H042   | LBS12042  | LBS18042  | LBS20042  | LBS24042  | 42           |
| LBS9H048   | LBS12048  | LBS18048  | LBS20048  | LBS24048  | 48           |
| LBS9H060   | LBS12060  | LBS18060  | LBS20060  | LBS24060  | 60           |
| LBS9H072   | LBS12072  | LBS18072  | LBS20072  | LBS24072  | 72           |
| LBS9H084   | LBS12084  | LBS18084  | LBS20084  | LBS24084  | 84           |
| LBS9H096   | LBS12096  | LBS18096  | LBS20096  | LBS24096  | 96           |
| LBS9H108   | LBS12108  | LBS18108  | LBS20108  | LBS24108  | 108          |
| LBS9H120   | LBS12120  | LBS18120  | LBS20120  | LBS24120  | 120          |
| LBS9H132   | LBS12132  | LBS18132  | LBS20132  | LBS24132  | 132          |
| LBS9H144   | LBS12144  | LBS18144  | LBS20144  | LBS24144  | 144          |

Drilling and attachment done onsite by others.

### Hardwood Locker Bench Seats

| 20" Depth | Seat Length" |
|-----------|--------------|
| LBS20060  | 60           |
| LBS20072  | 72           |

LBS/SQ FT 5.0



### ADA Hardwood Locker Bench Seats

| 20" Depth | 24" Depth | Seat Length" |
|-----------|-----------|--------------|
| LBS20042  | LBS24042  | 42           |
| LBS20048  | LBS24048  | 48           |

LBS/SQ FT 5.0



Meets ADA requirements

### Locker Bench Pedestals & Wall Mount Brackets

| Model #     | Wgt | Description   | Qty |
|-------------|-----|---|-----|
| MSLP        | 5.5 | 16.25"H Round Pedestals, Almond (includes bench top mounting hardware)          | 1   |
| SSLP        | 5   | 16.25"H Round Pedestals, Stainless Steel (includes bench top mounting hardware) | 1   |
| 04009060    | 5.5 | 16.25"H Trapezoid, Stainless Steel (includes bench top mounting hardware)**     | 1   |
| 04009060-04 | 6   | 16.25"H Trapezoid, Almond (includes bench top mounting hardware)**              | 1   |
| 0406773     | 2   | 17.75"H U-Frame, Black**  | 1   |
| 0400151     | 3   | 18" x 20" ADA Stainless Steel Backrest Bracket                                  | 1   |
| 0400490-04  | 23  | ADA Frame, Almond   | 1   |
| 0400490-SS  | 18  | ADA Frame, Stainless Steel  | 1   |

\*\*Recommended for benches with depths between 12" and 18", floor mounting hardware not included.



### Locker Bench Wall Mount Brackets\*

| Black (-B) | Almond (-A) | Stainless Steel (SS) | Wgt | Description                   |
|------------|-------------|----------------------|-----|-------------------------------|
| BKT0508-B  | BKT0508-A   | N/A                  | 2   | 9.5" and 12" Deep Seat (Pair) |
| BKT0812-B  | BKT0812-A   | N/A                  | 4   | 15" Deep Seat (Pair)          |
| BKT1218-B  | BKT1218-A   | BKT1218-SS           | 6   | 20" Deep Seat (Pair)          |
| BKT1521-B  | BKT1521-A   | BKT1521-SS           | 8   | 18" and 24" Deep Seat (Pair)  |

\*Drilling and attachment done onsite by others.



## ADA Locker Bench Seat Kits (with Welded Frames)

| Almond Pedestal | Almond Wgt | Stainless Steel Pedestal | SS Wgt | Description                | Bench Seat D" x L" x H" |
|-----------------|------------|--------------------------|--------|----------------------------|-------------------------|
| LBSADA2042      | 101        | LBSADA2042SS             | 91     | ADA Kit w/Back (2 Frames)* | 20 x 42 x 18            |
| LBSADA2048      | 109        | LBSADA2048SS             | 99     | ADA Kit w/Back (2 Frames)* | 20 x 48 x 18            |
| LBSADA2060      | 126        | LBSADA2060SS             | 116    | ADA Kit w/Back (2 Frames)* | 20 x 60 x 18            |
| LBSADA2072      | 164        | LBSADA2072SS             | 149    | ADA Kit w/Back (3 Frames)* | 20 x 72 x 18            |
| LBSADA2442      | 107        | LBSADA2442SS             | 97     | ADA Kit w/Back (2 Frames)* | 24 x 42 x 18            |
| LBSADA2448      | 116        | LBSADA2448SS             | 106    | ADA Kit w/Back (2 Frames)* | 24 x 48 x 18            |
| LBSADA2460      | 134        | LBSADA2460SS             | 124    | ADA Kit w/Back (2 Frames)* | 24 x 60 x 18            |
| LBSADA2472      | 174        | LBSADA2472SS             | 159    | ADA Kit w/Back (3 Frames)* | 24 x 72 x 18            |

\*Seats are pre-drilled and include hardware to attach bench to frames, floor mounting hardware not supplied.



LBSADA2048SS



Meets ADA requirements

## ADA Locker Bench Seat Kits with Wall Brackets\*

Choose from Almond, Black or Stainless Steel Brackets

| Model #     | -A/-B Wgt | -SS Wgt | D" x L" x H"   | Description                    |
|-------------|-----------|---------|----------------|--------------------------------|
| LBSBKT20042 | 35        | 34      | 20 x 42 x 1.25 | Includes 2 Wall Mount Brackets |
| LBSBKT20048 | 39        | 38      | 20 x 48 x 1.25 | Includes 2 Wall Mount Brackets |
| LBSBKT24042 | 41        | 40      | 24 x 42 x 1.25 | Includes 2 Wall Mount Brackets |
| LBSBKT24048 | 48        | 47      | 24 x 48 x 1.25 | Includes 2 Wall Mount Brackets |

\*Drilling and attachment done onsite by others.



LBSBKT20048

## Hardwood Locker Bench Kits

| Almond Pedestal | Almond Wgt | Stainless Steel Pedestal | SS Wgt | Description                  | D" x L" x H"    |
|-----------------|------------|--------------------------|--------|------------------------------|-----------------|
| LBSMP9H036      | 23         | LBSMP9H036SS             | 22     | Hardwood Seat w/2 Pedestals* | 9.5 x 36 x 17.5 |
| LBSMP9H048      | 27         | LBSMP9H048SS             | 26     | Hardwood Seat w/2 Pedestals* | 9.5 x 48 x 17.5 |
| LBSMP9H060      | 31         | LBSMP9H060SS             | 30     | Hardwood Seat w/2 Pedestals* | 9.5 x 60 x 17.5 |
| LBSMP9H072      | 35         | LBSMP9H072SS             | 34     | Hardwood Seat w/2 Pedestals* | 9.5 x 72 x 17.5 |
| LBSMP9H096      | 49         | LBSMP9H096SS             | 47     | Hardwood Seat w/3 Pedestals* | 9.5 x 96 x 17.5 |
| LBSMP12036      | 26         | LBSMP12036SS             | 25     | Hardwood Seat w/2 Pedestals* | 12 x 36 x 17.5  |
| LBSMP12048      | 31         | LBSMP12048SS             | 30     | Hardwood Seat w/2 Pedestals* | 12 x 48 x 17.5  |
| LBSMP12060      | 36         | LBSMP12060SS             | 35     | Hardwood Seat w/2 Pedestals* | 12 x 60 x 17.5  |
| LBSMP12072      | 41         | LBSMP12072SS             | 40     | Hardwood Seat w/2 Pedestals* | 12 x 72 x 17.5  |
| LBSMP12096      | 57         | LBSMP12096SS             | 55     | Hardwood Seat w/3 Pedestals* | 12 x 96 x 17.5  |
| LBSMP18042      | 37         | LBSMP18042SS             | 36     | Hardwood Seat w/2 Pedestals* | 18 x 42 x 17.5  |
| LBSMP18048      | 41         | LBSMP18048SS             | 40     | Hardwood Seat w/2 Pedestals* | 18 x 48 x 17.5  |
| LBSMP20042      | 51         | LBSMP20042SS             | 49     | Hardwood Seat w/4 Pedestals* | 20 x 42 x 17.5  |
| LBSMP20048      | 55         | LBSMP20048SS             | 53     | Hardwood Seat w/4 Pedestals* | 20 x 48 x 17.5  |
| LBSMP20060      | 64         | LBSMP20060SS             | 62     | Hardwood Seat w/4 Pedestals* | 20 x 60 x 17.5  |
| LBSMP20072      | 72         | LBSMP20072SS             | 70     | Hardwood Seat w/4 Pedestals* | 20 x 72 x 17.5  |
| LBSMP24042      | 57         | LBSMP24042SS             | 55     | Hardwood Seat w/4 Pedestals* | 24 x 42 x 17.5  |
| LBSMP24048      | 62         | LBSMP24048SS             | 60     | Hardwood Seat w/4 Pedestals* | 24 x 48 x 17.5  |
| LBSMP24060      | 72         | LBSMP24060SS             | 70     | Hardwood Seat w/4 Pedestals* | 24 x 60 x 17.5  |
| LBSMP24072      | 82         | LBSMP24072SS             | 80     | Hardwood Seat w/4 Pedestals* | 24 x 72 x 17.5  |



LBSMP9H060

\*Seats are pre-drilled and include hardware to attach bench to pedestal. Hardware to attach pedestals to floor is not included.

### Portable Hardwood Locker Bench Kits

| <i>Model #</i> | <i>Wgt</i> | <i>Description</i>                                     | <i>D" x L" x H"</i> |
|----------------|------------|--|---------------------|
| LBSMP12048U    | 30         | Hardwood Seat w/2 Black U Legs, Glides**               | 12 x 48 x 19        |
| LBSMP12060U    | 35         | Hardwood Seat w/2 Black U Legs, Glides**               | 12 x 60 x 19        |
| LBSMP12072U    | 44         | Hardwood Seat w/2 Black U Legs, Glides (support bar)** | 12 x 72 x 19        |
| LBSMP12096U    | 55         | Hardwood Seat w/3 Black U Legs, Glides**               | 12 x 96 x 19        |
| LBSMP15048U    | 35         | Hardwood Seat w/2 Black U Legs, Glides**               | 15 x 48 x 19        |
| LBSMP15060U    | 41         | Hardwood Seat w/2 Black U Legs, Glides**               | 15 x 60 x 19        |
| LBSMP15072U    | 52         | Hardwood Seat w/2 Black U Legs, Glides (support bar)** | 15 x 72 x 19        |
| LBSMP15096U    | 65         | Hardwood Seat w/3 Black U Legs, Glides**               | 15 x 96 x 19        |
| LBSMP18048U    | 40         | Hardwood Seat w/2 Black U Legs, Glides**               | 18 x 48 x 19        |
| LBSMP18060U    | 48         | Hardwood Seat w/2 Black U Legs, Glides**               | 18 x 60 x 19        |
| LBSMP18072U    | 59         | Hardwood Seat w/2 Black U Legs, Glides (support bar)** | 18 x 72 x 19        |
| LBSMP18096U    | 75         | Hardwood Seat w/3 Black U Legs, Glides**               | 18 x 96 x 19        |



LBSMP18048U

\*\*Seats are pre-drilled and include hardware to attach bench to legs.

**Appearance:**

Natural variations do occur in the appearance of natural wood, of which it is these distinguishing features that creates the natural beauty of this product. These variations are subject to occur on all or some of the wood products based on environmental factors affecting the tree before harvesting and include character markings such as grain variation in color, various growth rings and tight knots among other naturally occurring defects. All variations are of a natural source, while all other manufacturing defects have been removed and should not detract from the function.

**General Care & Maintenance:**

Allow top to reach ambient room temperature prior to installation. It may take forty-eight (48) hours for the top to acclimate to the surrounding environment.

Holes in framework used to secure the top to frame must be 3/8" larger than the bolt or fastener. Predrill pilot holes for lag screw fasteners and only tighten the fastener slightly as the top needs to be able to expand and contract.

If final mounting requires cutting the top, then all exposed raw wood surfaces must be resealed. Polyurethane is an excellent sealer for lacquered tops. Tops and benches sent without a finish and tops that are modified in the field voids the warranty.

Lacquered benches should avoid excess amounts of water, oil and strong cleaning agents. The bench should be immediately wiped clean when the surface has been exposed to such excesses.

When necessary, reseal any exposed raw wood surfaces to avoid expansion and swelling caused by water and humidity.

Locker bench seats can be affected by the temperature and humidity of the surrounding environment.

**Fastener and Pilot Hole Chart:**

| Screw size # | Pilot hard wood |
|--------------|-----------------|
| 4            | 1/16"           |
| 6            | 5/64"           |
| 8            | 3/32"           |
| 10           | 7/64"           |
| 12           | 1/8"            |

**Catalyzed Lacquer Test Results:**

| Chemical                      | Rating |
|-------------------------------|--------|
| 1) Sulfuric Acid 25%          | 5      |
| 2) Sulfuric Acid 50%          | 5      |
| 3) Acetic Acid 50%            | 4      |
| 4) Acetic Acid 75%            | 4      |
| 5) Phosphoric Acid 50%        | 5      |
| 6) Phosphoric Acid 75%        | 5      |
| 7) Hydrochloric Acid 20%      | 5      |
| 8) Hydrochloric Acid 37%      | 4      |
| 9) Butyl Alcohol              | 5      |
| 10) Ethyl Alcohol             | 5      |
| 11) Methyl Alcohol            | 5      |
| 12) Ethyl Acetate             | 2      |
| 13) Methyl Ethyl Ketone       | 1      |
| 14) Toluene                   | 5      |
| 15) Acetone                   | 1      |
| 16) Naphtha                   | 5      |
| 17) Xylene                    | 5      |
| 18) Sodium Hypochlorite 5.25% | 5      |
| 19) Sodium Hydroxide 25%      | 5      |
| 20) Sodium Hydroxide 35%      | 5      |
| 21) Sodium Hydroxide 40%      | 5      |
| 22) Sodium Hydroxide 50%      | 5      |
| 23) Potassium Hydroxide 40%   | 5      |
| 24) Potassium Hydroxide 45%   | 5      |
| 25) Hydrogen Peroxide 30%     | 5      |
| 26) Nitric Acid 25%           | 5      |

Test prepared by Sheboygan Paint Co 1/2009  
 5=No Effect  
 4=Slight Stain  
 3=Modest Stain  
 2=Modest Stain, Film Blistered  
 1=Film Damage

