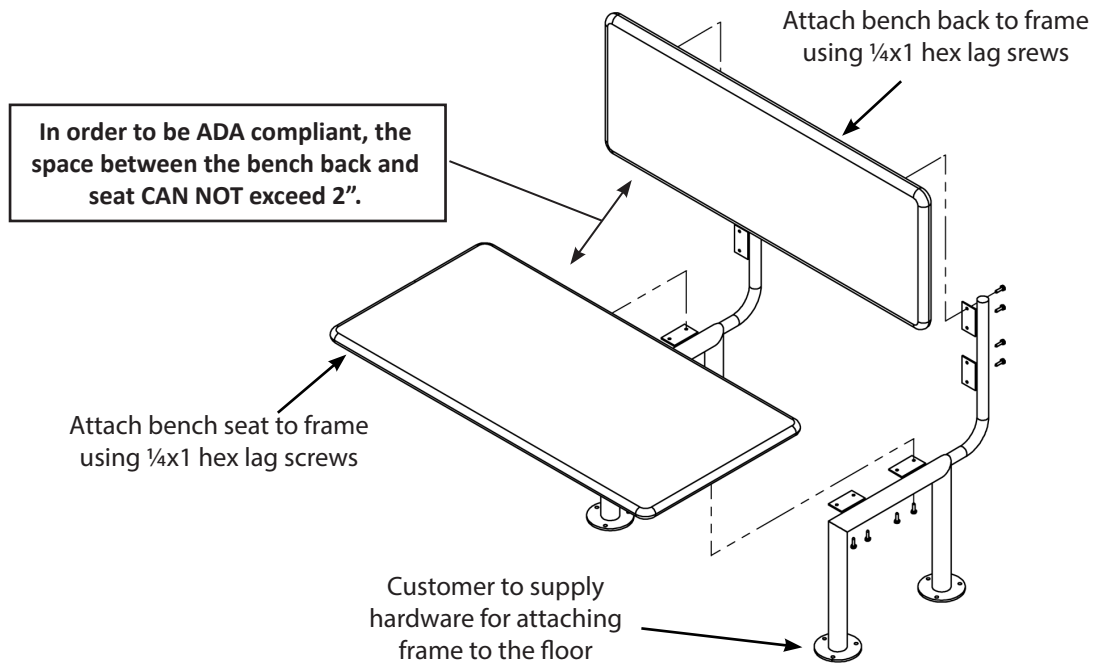


# Assembly Instructions

Before you begin, please make sure all parts and proper quantities are included. (See Part Identifier Key) Any parts damaged during shipment must be reported within 24 hours of receipt. To report information regarding damages or if you have any questions, please call 800.242.2303.



### Tools Required

- 7/16" wrench

### Part Identifier Key

Part #	Description	Qty.	
Varies by Model	Bench Seat	1	See image above
Varies by Model	18"H Bench Backrest	1	See image above
0400490-04 0400490-SS	ADA Bench Frame (Almond) ADA Bench Frame (Stainless Steel)	1	See image above
Hardware Pack 0400585	1/4x1 Almond hex lag screws (0400500) Instructions	16 screws 1 instructions	
Hardware Pack 04010034	1/4x1 Stainless Steel hex lag screws (0400152) Instructions	16 screws 1 instructions	