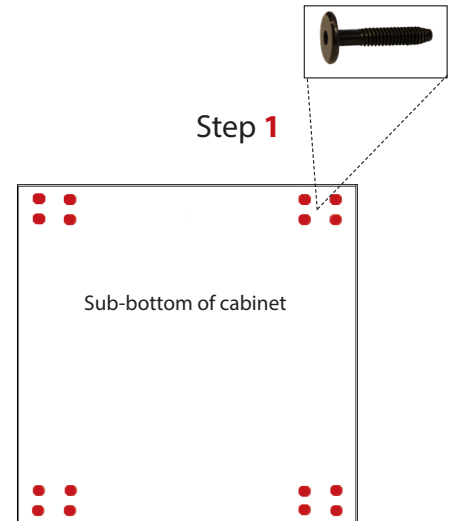


## Assembly Instructions

Before you begin, please make sure all parts and proper quantities are included. (See Part Identifier Key) Any parts damaged during shipment must be reported within 24 hours of receipt. To report information regarding damages or if you have any questions, please call 800.242.2303.

### Step 1:

- Place base cabinet on it's side on a protected flat surface.
- Align caster with the threaded inserts. (See image to the right; threaded inserts are marked in red as an example for assembly instruction ONLY.)
- Using a 4mm Allen wrench or a 4mm Hex bit and a screw gun, attach caster to the base cabinet with the ¼-20x25mm joint connector bolts.
- Repeat for the remaining casters.



### Step 2:

- With someone's help, position the cabinet right side up. Make sure to have the two locking casters' levers pushed down to secure cabinet in place.

### Step 3: (Skip step 3 if top is already installed)

- Place top on base cabinet aligning the threaded inserts in the top with the pre-drilled holes in the cabinet.
- Using the ¼-20x35mm joint connector bolts, insert the 1st bolt through one of the front pre-drilled holes inside of the cabinet going up into the top. Use a 4mm Allen wrench or 4mm Hex bit and a screw gun to fasten the bolt into place.
- After the first bolt is fastened, proceed to the back of the cabinet, on the opposite side, to attach the second bolt.
- Repeat these steps for the remaining two sides.

#### Tools Required

- 4mm Allen wrench OR
- 4mm Hex bit
- Phillips drill bit
- Screw gun

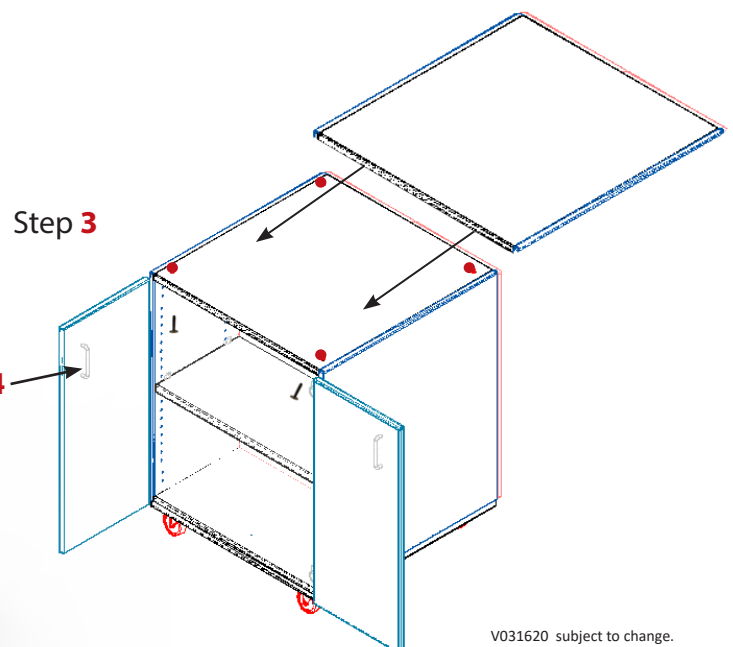
### Step 4:

- Wire pulls are factory installed on the inside of door to prevent damage in transit.
- Unscrew each wire pull handle using a Phillips drill bit and a screw gun.
- Reattach with wire pull on the outside of the cabinet.
- Repeat for each of the wire pulls.

**Mobile REplay® Cabinet shown as an example.**







CRB3112



Step 3

Step 4

## Part Identifier Key (Cast1)

Part #	Description	Qty.	
0400484	3" heavy duty plate casters w/ out brake	2	
0400485	3" heavy duty plate casters w/ brake	2	
04066947	1/4-20x25mm joint connector bolt (black) <i>(Used to apply casters)</i>	16	
0406686-WO*	1/4-20x35mm joint connector bolt (black) <i>(Used to attach base cabinet to top)</i>	4	

### These Assembly Instructions can be used for the below products.

**Mobile Storage Solutions:** (Tops\* will not be assembled depending on variable circumstances.)

- Transporter Storage
- Tote Storage
- Flat Storage
- 3D Printer Stations

**REplay® Mobile Cabinets:** (Tops\* will not be assembled depending on variable circumstances.)

- Open Base Cabinets
- Door Cabinets
- Door & Drawer Cabinets
- Drawer Cabinets

**Mobile Book Nook Cabinets:** (Tops\* will ALWAYS be shipped assembled.)

- Single Sided, Open Bookcases
- Double Sided, Open Bookcases
- Double Sided Open Bookcases w/Dividers
- Double Sided Curved Bookcases
- Depressible Book Cart

\*If top is shipped assembled, discard extra hardware.

**Mobile Single Sided Curved Bookcases:**

- **Do NOT use these instructions for this Cabinet.** You will need to download the Assembly Instructions for this Bookcase from the website.

