

Assembly Instructions

Before you begin, please make sure all parts and proper quantities are included. (See Part Identifier Key) Any parts damaged during shipment must be reported within 24 hours of receipt. To report information regarding damages or if you have any questions, please call 800.242.2303.

Step 1:

- Place top face down on protected flat surface.

Step 2:

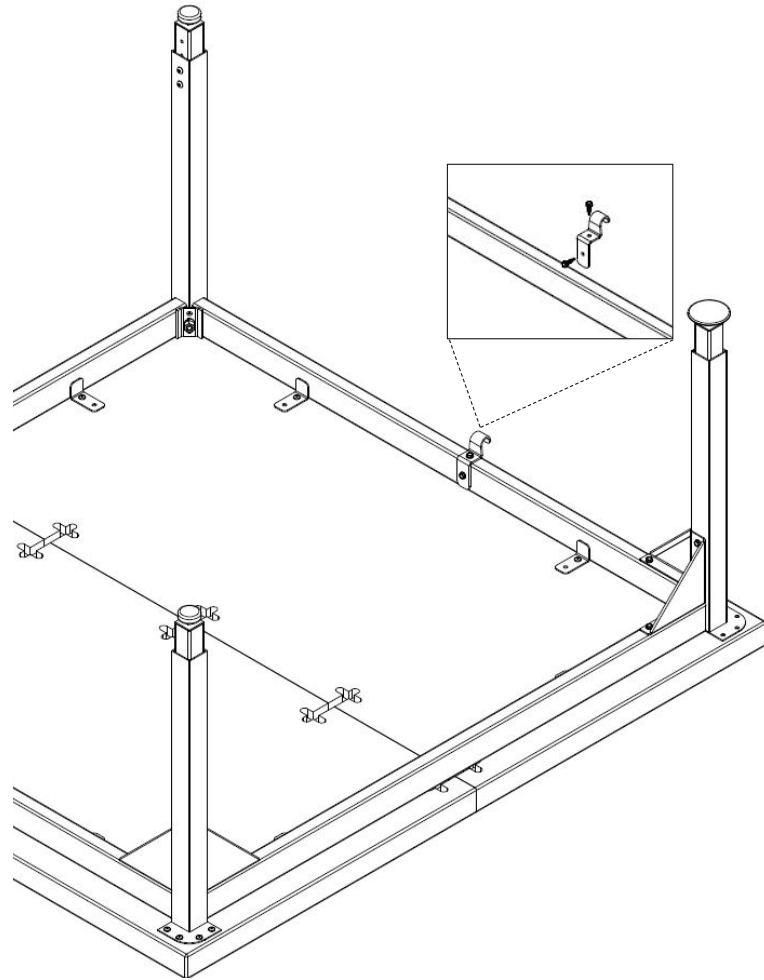
- Place backpack hook on the frame where you want it located. (See image to right for an example.) Use a rubber mallet to tap the #10-16x $\frac{3}{4}$ " hex washer head self-drilling screw into place.

Step 3:

- Using a screw gun along with a $\frac{5}{16}$ " hex bit, finish fastening the #10 screw to the frame of the table. Repeat **Steps 2-3** for the second #10 screw.

Step 4:


- With someone's help, turn table upright.



Tools Required

- Screw gun
- $\frac{5}{16}$ " hex bit
- Rubber mallet

Part Identifier Key

Part #	Description	Qty.	
04067047 (black)	Backpack hooks	2	
04067047-G4 (smooth silver)	<i>(Needs (2) #10-16x$\frac{3}{4}$" hex washer head self-drilling screws per backpack hook)</i>		
04009742	#10-16x $\frac{3}{4}$ " hex washer head self-drilling screws <i>(Used to fasten backpack hook to top)</i>	2 per backpack hook	